



Product designation				Switch disconnecter with fuse
Product type designation				GM
Type of fuse				J
Number of poles	Nr.			3
Operating voltage type				AC
<b>Contact characteristics</b>				
IEC Conventional free air thermal current I <sub>th</sub>	A			200
Rated insulation voltage U <sub>i</sub> IEC/EN	V			1000
Rated impulse withstand voltage U <sub>imp</sub>	kV			12
Operating current I <sub>e</sub>				
AC21A				
	400V	A	200	
	500V	A	200	
	690V	A	200	
AC22A				
	400V	A	200	
	500V	A	200	
	690V	A	200	
AC23A				
	400V	A	200	
	500V	A	200	
	690V	A	200	
Power dissipation per pole max	W			8
Power dissipation per pole without fuse	W			8
Max fuse power dissipation				
	in open air	W	15	
	in enclosure	W	15	
Rated operational power AC23A				
	400V	kW	110	
	690V	kW	200	
Rated short time current (1s) I <sub>cw</sub> (rms)	kA			8
Short-circuit protection with fuse	Class/A			J/200
Making capacity AC23A 400V	A			2000
Breaking capacity AC23A 400V	A			1600
Mechanical life	cycles			8000
Electrical life AC21A	cycles			6000
<b>Mechanical features</b>				
Operating position				
	normal			Vertical plan
	allowable			Any
Fixing				Screw
Terminals				
	type			Bar

Tightening torque for terminals

max	Nm	31
max	Ibin	23

Tightening torque for fuse links bolts

Nm	4
----	---

Tightening torque for terminal lug

Nm	8
----	---

Terminal kit lugs

GMX501

**UL technical data**

UL Standard

UL98

General purpose current rating

A 200

Operating voltage max

V 600

Horsepower/FLA current three phase motor

240V	HP	60/154
480V	HP	125/156
600V	HP	150/144

Short circuit rating

kA rms 200

Short circuit rating with fuse

Class/A J/200

**Ambient conditions**

Operating temperature

min	°C	-25
max	°C	55

Storage temperature

min	°C	-40
max	°C	70

Max altitude

m 3000

**Resistance & Protection**

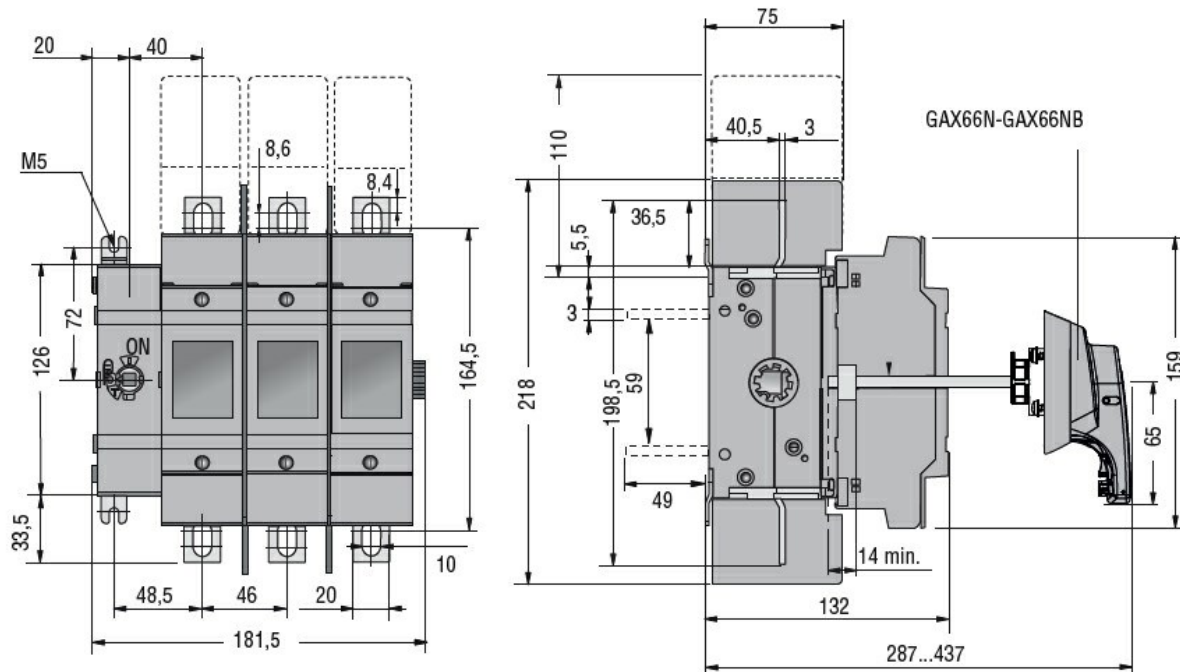
Frontal IP degree

IP20

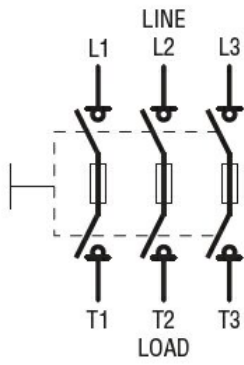
Pollution degree

3

**Dimensions**



**Wiring diagrams**



### Certifications and compliance

#### Compliance

IEC/EN 60947-1

IEC/EN 60947-3

#### Certifications

cULus according to UL98/CSA C22.2 n°4

### ETIM classification

ETIM 8.0

EC000216 -  
Switch  
disconnecter